

## STANDARD EQUIPMENT

### ISO Standard cabin

All-weather steel cab with 360° visibility  
 Safety glass windows  
 Rise-up type windshield wiper  
 Sliding fold-in front window  
 Sliding side window(LH)  
 Lockable door  
 Hot & cool box  
 Storage compartment & Ashtray  
 Transparent cabin roof-cover  
 Radio / USB player  
 Handsfree mobile phone system with USB  
 12 volt power outlet (24V DC to 12V DC converter)  
 Sun visor

### Computer aided power optimization (New CAPO) system

3-power mode, 2-work mode, User mode  
 Auto deceleration & one-touch deceleration system  
 Auto warm-up system  
 Auto overheat prevention system

### Automatic climate control

Air conditioner & heater  
 Defroster

### Self-diagnostics system

Starting Aid (air grid heater) for cold weather

### Centralized monitoring

LCD display  
 Engine speed or Trip meter/Accel.  
 Clock  
 Gauges  
 Fuel level gauge  
 Engine coolant temperature gauge  
 Hyd. oil temperature gauge  
 Warnings  
 Check Engine  
 Overload  
 Communication error  
 Low battery  
 Air cleaner clogging  
 Indicators  
 Max power  
 Low speed/High speed  
 Fuel warmer  
 Auto idle

### Door and cab locks, one key

### Three outside rearview mirrors

### Fully adjustable suspension seat with seat belt

### Pilot-operated slidable joystick

### Console box height adjust system

### Four front working lights

### Electric horn

### Batteries (2 x 12V x 100 AH)

### Battery master switch

### Removable clean-out dust net for cooler

### Automatic swing brake

### Removable reservoir tank

### Fuel pre-filter with fuel warmer

### Boom holding system

### Arm holding system

### Track shoes (600mm, 24")

### Track rail guard

### Accumulator for lowering work equipment

### Electric transducer

### Lower frame under cover (Normal)

### Viscous fan clutch

## OPTIONAL EQUIPMENT

### Fuel filler pump (50 L/min)

### Beacon lamp

### Safety lock valve for boom cylinder with overload warning device

### Safety lock valve for arm cylinder

### Single-acting piping kit (breaker, etc.)

### Double-acting piping kit (clamshell, etc.)

### Quick coupler

### Travel alarm

### Booms

5.68 m, 18' 8"

8.2 m, 26' 11" Long reach

### Arms

2.0 m, 6' 7"

2.4 m, 7' 10"

2.92 m, 9' 7"

3.9 m, 12' 10"

6.3 m, 20' 8" Long reach

### Climate control

Air conditioner only

Heater only

### Cabin FOPS/FOG (ISO/DIS 10262)

FOPS (Falling Object Protective Structure)

FOG (Falling Object Guard)

### Cabin ROPS (ISO 12117-2)

ROPS (Roll Over Protective Structure)

### Cabin roof-steel cover

### Cabin lights

### Cabin front window rain guard

### Track shoes

Triple grousers shoe (700 mm, 28" )

Triple grousers shoe (800 mm, 32" )

Triple grousers shoe (900 mm, 36" )

Double grousers shoe (700 mm, 28" )

Full track rail guard

### Lower frame under cover (Additional)

### Pre-heating system, coolant

### Tool kit

### Operator suit

### Rearview camera

### Seat

Adjustable air suspension seat

Adjustable air suspension seat with heater

Mechanical suspension seat with heater

### Pattern change valve (2 patterns)

### Hi-mate (Remote Management System)

Standard and optional equipment may vary. Contact your Hyundai dealer for more information. The machine may vary according to International standards.  
 All imperial measurements rounded off to the nearest pound or inch.

PLEASE CONTACT

## HYUNDAI HEAVY INDUSTRIES CO.,LTD. CONSTRUCTION EQUIPMENT

Head Office (Sales Office)  
 1 JEONHA-DONG, DONG-GU, ULSAN, KOREA TEL: (82) 52-202-7970, 7729, 0971 FAX: (82) 52-202-7979, 7720

Americas Operation: Hyundai Construction Equipment Americas, Inc.  
 955 ESTES AVENUE, ELK GROVE VILLAGE, IL. 60007, U.S.A. TEL: (1) 847-437-3333 FAX: (1) 847-437-3574

Europe Operation: Hyundai Heavy Industries Europe N.V.  
 VOSSENDAAL 11, 2440 GEEL, BELGIUM TEL: (32) 14-56-2200 FAX: (32) 14-59-3405

India Operation: Hyundai Construction Equipment India Pvt., Ltd.  
 PLOT NO.A-2, CHAKAN INDUSTRIAL AREA, VILL.- KHALUMBRE, TALUK.- KHED., DIST.- PUNE 410 501, INDIA  
 TEL: (91) 21-3530-1700 FAX: (91) 21-3530-1712

www.hyundai-ce.com

2011.06 Rev. 1

We build a better future

Robex  
**210LC-9**  
 With Tier 3 Engine installed



\*Photo may include optional equipment.

**HYUNDAI**  
 HEAVY INDUSTRIES CO.,LTD.

# Pride at Work

Hyundai Heavy Industries strives to build state-of-the-art earthmoving equipment to give every operator maximum performance, more precision, versatile machine preferences, and proven quality. Take pride in your work with a Hyundai!



## Robex 210LC-9

### Machine Walk-Around

#### Undercarriage

Sealed track chain (urethane seals) / Standard track rail guard / Comfortable bolt-on steps  
Large upper roller cut-outs for debris clean-out / Tapered side frames for debris clean-out / Grease-type track tensioner

#### Engine Technology

Proven / reliable, fuel efficient Cummins Tier III QSB 6.7 engine  
Electronically controlled for optimum fuel to air ratio and clean, efficient combustion  
Low noise / Auto engine warm up feature / Anti-restart feature

#### Hydraulic System Improvements

New patented hydraulic control for improved controllability / Improved control valve design for added efficiency and smoother operation / New auto boom and swing priority system for optimum speed / New auto power boost feature for additional power when needed / Improved arm-in and boom-down flow regeneration system for added speed and efficiency

#### Pump Compartment

Industry-leading, powerful, reliable Kawasaki designed, variable volume in-line axial piston pumps  
New compact solenoid block equipped with 4 solenoid valves, 1 EPPR valves, 1 check valve accumulator and pilot filter - controls 2 speed travel, power boost, boom priority, safety lock

#### Enhanced Operator Cab

##### Improved Visibility

Enlarged cab with improved visibility / See-through upper skylight for visibility and ventilation  
Larger right-side glass, now one piece, for better right visibility  
Safety glass windows on all sides - less expensive than (polycarbonate) and won't scratch or fade  
Closeable sunshade for operator convenience / Reduced front window seam for improved operator view

##### Improved Cab Construction

New steel tube construction for added operator safety, protection and durability  
New window open/close mechanism designed with cable and spring lift assist and single latch release

##### Improved Suspension Seat / Console Assembly

Ergonomic joysticks with auxiliary control buttons for attachment use. Now with new sleek styling  
Heated suspension (standard) or optional air ride suspension with heat  
New joystick consoles - now adjustable in height by way of dial at bottom  
Adjustable arm rests - turn dial to raise or lower for optimum comfort

##### Advanced 7" Color Cluster

New Color LCD Display with easy to read digital gauges for hydraulic oil temperature, water temperature, and fuel. Simplified design makes adjustment and diagnostics easier. Also, new enhanced features such as rear-view camera are integrated into monitor.  
3 power modes : (P) Power, (S) Standard, (E) Economy, 2 work modes : Dig & Attachment, (U) User mode for operator preference  
Enhanced self-diagnostic features with GPS download capability  
One pump flow or two pump flow for optional attachment is now selectable through the cluster / New anti-theft system with password capability  
Boom speed and arm regeneration are selectable through the monitor.  
Auto power boost is now available - selectable (on/off) through the monitor.  
Powerful air conditioning and heat with auto climate control, 20% more heat and air output than 7A series!  
RMS (Remote Management System) works through GPS/satellite technology to ultimately provide better customer service and support.

# Preference

Operating a 9 series is unique to every operator. Operators can fully customize their work environment and operating preferences to fit their individual needs.



\*Photo may include optional equipment.

## Operator Comfort

In 9 series cabin you can easily adjust the seat, console and armrest settings to best suit your preferred comfort level. Seat and console position and height can be set together and independent from each other. Other preference settings that add to overall operator comfort include the full automatic high capacity airconditioning system and the radio / USB player.



## Reduced Stress

Work is stressful enough. Your work environment should be stress free. Hyundai's 9 series provides improved cab amenities, additional space and a comfortable seat to minimize stress to the operator. A powerful climate control system provides the operator with optimum air temperature. An advanced audio system with USB player, AM/FM stereo and MP3 capabilities, plus remotely located controls is perfect for listening to music favorites. Operators can even talk on the phone with the hands-free cell phone feature.



## Operator - Friendly Cluster

The advanced new cluster with 7 inch wide color LCD screen and toggle switch allows the operator to select his personal machine preferences. Power and work mode selection, self diagnostics, optional rear-view camera, maintenance check lists, start-up machine security, and video functions were integrated into the cluster to make the machine more versatile and the operator more productive.



## Wide Cabin with Excellent Visibility

The newly designed cabin was conceived for more space, a wider field of view and operator comfort. Special attention was given to a clear, open and convenient interior with plenty of visibility on the machine surroundings and the job at hand. This well balanced combination of precision aspects put the operator in the perfect position to work safely and securely.

# Precision

Innovative hydraulic system technologies make the 9 series excavator fast, smooth and easy to control.



## Computer Aided Power

The engine horsepower and hydraulic horsepower together in unison through the advanced CAPO(Computer Aided Power Optimization) system, flow for the job at hand. Operator can set their own preferences for boom or swing priority, power mode selection and optional work tools at the touch of a button.

The CAPO system also provides complete self diagnostic features and digital gauges for important information like hydraulic oil temperature, water temperatures and fuel level. This system interfaces with multiple sensors placed throughout the hydraulic system as well as the electronically controlled engine to provide the optimum level of engine power and hydraulic flow.

### Power Mode

P (Power Max) mode maximizes machine speed and power for mass production. S (Standard) mode provides a reduced, fixed rpm for optimum performance and improved fuel economy. For maximum fuel savings and improved control, E (Economy) mode provides precise flow and engine power based on load demand. Three unique power modes provide the operator with custom power, speed and fuel economy.

### Work Mode

The work mode allows the operator to select single flow attachments like a hydraulic breaker or bi-directional flow attachments like a crusher. Flow settings unique to each attachment can be programmed from within the cluster.

### User Mode

Some jobs require more precise machine settings. Using the versatile U (User) mode, the operator can customize engine speed, pump output, idle speed and other machine settings for the job at hand.

## Improved Hydraulic System



To achieve optimum precision, Hyundai redesigned the hydraulic system to provide the operator with super fine touch and improved controllability. Improved pump flow control reduces flow when controls are not being used to minimize fuel consumption.

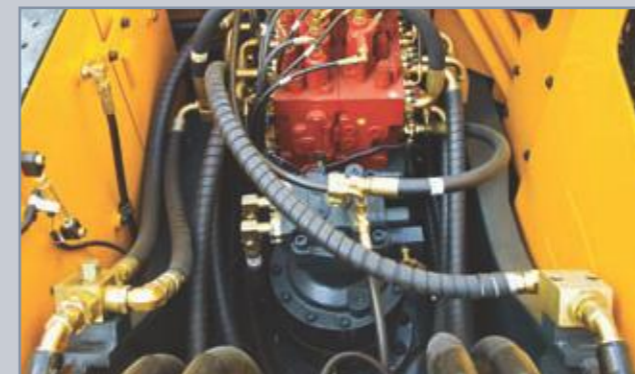
Improved spool valves in the control valve are engineered to provide more precise flow to each function with less effort.

Improved hydraulic valves, precision-designed variable volume piston pumps, fine-touch pilot controls, and enhanced travel functions make any operator running a 9 series look like a smooth operator. Newly improved features

include arm-in and boom-down flow regeneration, improved control valve technology and innovative auto boom and swing priority for optimal performance in any application.

## Auto Boom-swing Priority

This smart function automatically and continuously looks the ideal hydraulic flow balance for the boom and swing motions of the machine. The advanced CAPO system monitors the hydraulic system and adjusts its settings to maximize performance and productivity.



\*Photo may include optional equipment.

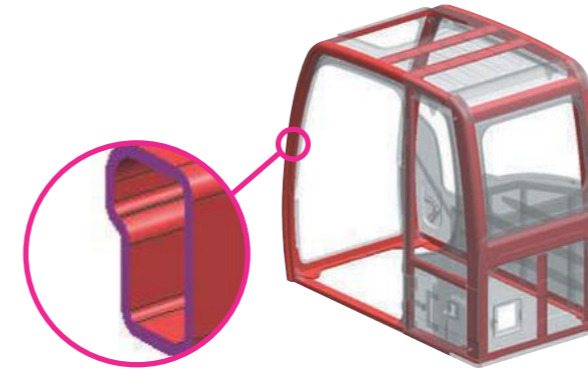
# Performance

9 series is designed for maximum performance to keep the operator working productively.



## Track Rail Guard & Adjusters

Durable track rail guards keep track links in place. Track adjustment is made easy with standard grease cylinder track adjusters and shock absorbing springs.



## Cummins QSB6.7 Engine

The Tier III compliant, six cylinder, turbo-charged, 4 cycle, water cooled, Cummins QSB6.7 diesel engine is built for power, reliability, efficiency and reduced emissions.

## Heavy-duty strength

The Quantum System B-Series 6.7-liter engine combines full-authority electronic controls with reliable performance.

The QSB6.7 electronics have been used in our high-horsepower products in the harshest, most demanding environments, including dusty, nonstop mining operations, and meet worldwide emissions regulations.

The QSB6.7 features 24 valves designed with centered injectors and a symmetrical piston bowl.

The combination of improved airflow and evenly dispersed fuel results in increased power, improved transient response, and reduced fuel consumption.

## Structure Strength

The 9 series cabin structure has been fitted with stronger but slimmer tubing for more safety and improved visibility. Low-stress, high strength steel is integrally welded to form a stronger, more durable upper and lower frame. Structural integrity was tested by way of FEM (Finite Elements Method) analysis and long-term durability tests.



\*Photo may include optional equipment.

# Profitability

9 series is designed to maximize profitability through improved efficiencies, enhanced service features and longer life components.



\*Photo may include optional equipment.

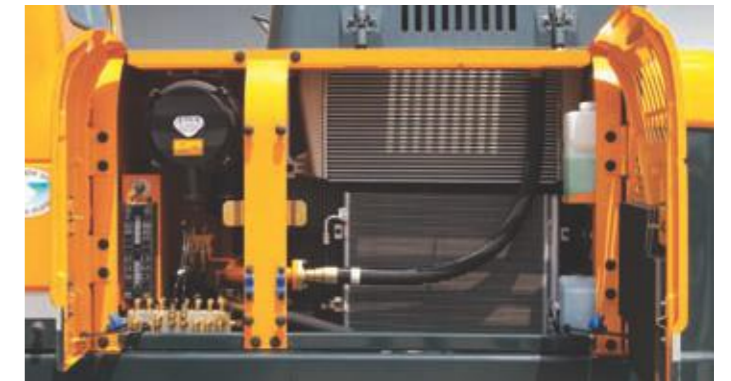
## Fuel Efficiency

9 series excavators are engineered to be extremely fuel efficient. New innovations like the variable speed fan clutch, three-stage auto decel system and the new economy mode help to conserve fuel and reduce the impact on the environment.



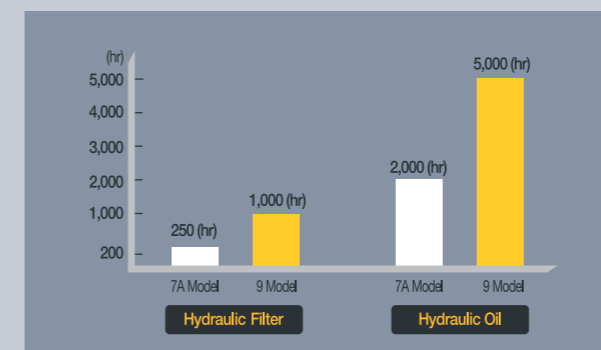
## Hi-mate (Remote Management System)

Hi-mate, Hyundai's proprietary remote management system, provides operators and dealer service personnel access to vital service and diagnostic information on the machine from any computer with internet access. Users can pinpoint machine location using digital mapping and set machine work boundaries, reducing the need for multiple service calls. Hi-mate saves time and money for the owner and dealer by promoting preventative maintenance and reducing machine downtime.



## Easy Access

Ground-line access to filters, lube fittings, fuses, machine computer components and wide open compartments makes service more convenient on the 9 series.



## Extended Life Components

9 series excavators were designed with bushings designed for extended lube intervals (250 hrs) & polymer shims (wear resistant, noise reducing), extended-life hydraulic filters (1,000hrs), long-life hydraulic oil (5,000hrs), more efficient cooling systems and integrated preheating systems which extend service intervals, minimize operating costs and reduce machine down time.

# Specifications

## ENGINE

MODEL	Cummins QSB6.7		
Type	Water-cooled, 4-cycle Diesel, 6-Cylinder in-line, Direct injection, Turbocharged, Charge air cooled, Low emission		
Rated flywheel horsepower	SAE	J1995 (gross) J1349 (net)	151HP (113kW)/ 1,900rpm 143HP (107kW)/ 1,900rpm
	DIN	6271/1 (gross) 6271/1 (net)	153PS (113kW)/ 1,900rpm 145PS (107kW)/ 1,900rpm
Max. torque	63.5kgf·m (459lb-ft)/1,500rpm		
Bore X stroke	107mm X 124mm (4.2" X 4.9")		
Piston displacement	6,700cc (409 in <sup>3</sup> )		
Batteries	2 X 12V X 100AH		
Starting motor	24V, 4.5kW		
Alternator	24V, 70Amp		

## HYDRAULIC SYSTEM

MAIN PUMP	
Type	Variable displacement tandem-axis piston pumps
Max. flow	2 X 222 L/min (58.6 US gpm/48.8 UK gpm)
Sub-pump for pilot circuit	Gear pump

Cross-sensing and fuel saving pump system

HYDRAULIC MOTORS	
Travel	Two-speed axial pistons motor with brake valve and parking brake
Swing	Axial piston motor with automatic brake

RELIEF VALVE SETTING	
Implement circuits	350 kgf/cm <sup>2</sup> (4,978 psi)
Travel	350 kgf/cm <sup>2</sup> (4,978 psi)
Power boost (boom, arm, bucket)	380 kgf/cm <sup>2</sup> (5,404 psi)
Swing circuit	265 kgf/cm <sup>2</sup> (3,769 psi)
Pilot circuit	40 kgf/cm <sup>2</sup> (568 psi)
Service valve	Installed

HYDRAULIC CYLINDERS	
No. of cylinder bore X stroke	Boom: 2-120 X 1,290 mm (4.7" X 50.8") Arm: 1-140 X 1,510 mm (5.5" X 59.4") Bucket: 1-120 X 1,055 mm (4.7" X 41.5")

## DRIVES & BRAKES

Drive method	Fully hydrostatic type
Drive motor	Axial piston motor, in-shoe design
Reduction system	Planetary reduction gear
Max. drawbar pull	21,100 kgf (46,500lb)
Max. travel speed (high / low)	5.3 km/hr (3.3 mph) / 3.4 km/hr (2.1 mph)
Gradeability	35° (70 %)
Parking brake	Multi wet disc

## CONTROL

Pilot pressure operated joysticks and pedals with detachable lever provide almost effortless and fatigueless operation.

Pilot control	Two joysticks with one safety lever (LH): Swing and arm, (RH): Boom and bucket (ISO)
Traveling and steering	Two levers with pedals
Engine throttle	Electric, Dial type
Lights	Two lights mounted on the boom, one light mounted on the battery box

## SWING SYSTEM

Swing motor	Fixed displacement axial pistons motor
Swing reduction	Planetary gear reduction
Swing bearing lubrication	Grease-bathed
Swing brake	Multi wet disc
Swing speed	12.0 rpm

## COOLANT & LUBRICANT CAPACITY

Re-filling	liter	US gal	UK gal
Fuel tank	400	105.7	88.0
Engine coolant	35	9.2	7.7
Engine oil	24	6.3	5.3
Swing device	5	1.3	1.1
Final drive (each)	5.8	2	1
Hydraulic system (including tank)	275	72.6	60.5
Hydraulic tank	160	42.3	35.2

## UNDERCARRIAGE

The X-leg type center frame is integrally welded with reinforced box-section track frames. The undercarriage includes lubricated rollers, idlers, track adjusters with shock absorbing springs and sprockets, and a track chain with double or triple grouser shoes.

Center frame	X-leg type
Track frame	Pentagonal box type
No. of shoes on each side	49
No. of carrier rollers on each side	2
No. of track rollers on each side	9
No. of rail guards on each side	2

## OPERATING WEIGHT (APPROXIMATE)

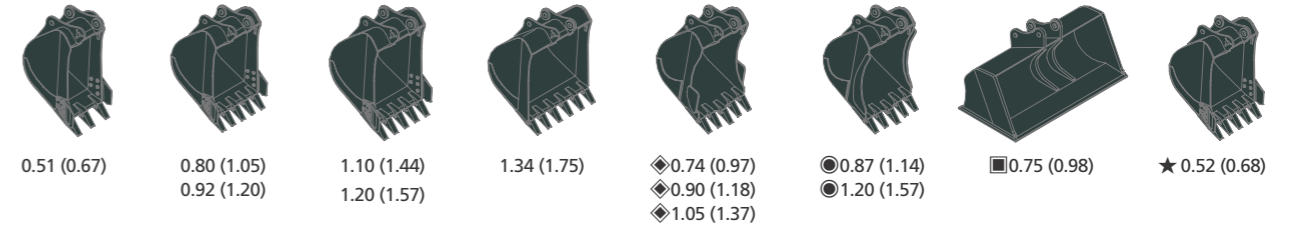
Operating weight, including 5,680mm (18' 8") boom, 2,920mm (9' 7") arm, SAE heaped 0.92m<sup>3</sup> (1.20 yd<sup>3</sup>) bucket, lubricant, coolant, full fuel tank, full hydraulic tank, and all standard equipments.

MAJOR COMPONENT WEIGHT	
Upperstructure	5,850kg (12,900lb)
Boom (with arm cylinder)	1,950kg (4,300lb)
Arm (with bucket cylinder)	1,095kg (2,410lb)

OPERATING WEIGHT				
Shoes		Operating weight		Ground pressure
Type	Width mm (in)	kg (lb)		kgf/cm <sup>2</sup> (psi)
Triple grouser	600 mm (24")	R210LC-9	21,900 (48,280)	0.46 (6.54)
		R210LC-9 H/W	23,360 (51,500)	0.50 (7.11)
	700 mm (28")	R210LC-9	22,250 (49,050)	0.40 (5.69)
		R210LC-9 H/W	23,710 (52,270)	0.43 (6.11)
		R210LC-9	22,515 (49,640)	0.36 (5.12)
800 mm (32")	R210LC-9	22,515 (49,640)	0.36 (5.12)	
	R210LC-9 H/W	23,975 (52,860)	0.38 (5.40)	
900 mm (36")	R210LC-9	22,760 (50,180)	0.32 (4.55)	
	R210LC-9 H/W	24,135 (53,210)	0.43 (6.11)	
Double grouser	700 mm (28")	R210LC-9 H/W	24,135 (53,210)	0.43 (6.11)

## BUCKETS

All buckets are welded with high-strength steel.



Capacity m <sup>3</sup> (yd <sup>3</sup> )	Width mm (in)	Weight kg (lb)	Recommendation mm (ft-in)				
			5,680 (18' 8") Boom				
			2,000 (6' 7") Arm	2,400 (7' 10") Arm	2,920 (9' 7") Arm	3,900 (12' 10") Arm	8,200 (26' 11") Boom
0.51 (0.67)	700 (27.6)	570 (1,260)	●	●	●	●	-
0.80 (1.05)	1,000 (39.4)	700 (1,540)	●	●	●	●	-
0.92 (1.20)	1,150 (45.3)	770 (1,700)	●	●	●	■	-
1.10 (1.44)	1,320 (52.0)	830 (1,830)	●	●	■	▲	-
1.20 (1.57)	1,400 (55.1)	850 (1,870)	●	■	▲	▲	-
1.34 (1.75)	1,550 (61.0)	920 (2,030)	■	■	▲	-	-
◆ 0.74 (0.97)	985 (38.8)	770 (1,700)	●	●	●	●	-
◆ 0.90 (1.18)	1,070 (42.1)	810 (1,790)	●	●	●	■	-
◆ 1.05 (1.37)	1,290 (50.8)	890 (1,960)	●	●	●	■	-
● 0.87 (1.14)	1,140 (44.9)	900 (1,980)	●	●	●	■	-
● 1.20 (1.57)	1,410 (55.5)	1,030 (2,270)	■	▲	-	-	-
■ 0.75 (0.98)	1,790 (70.5)	880 (1,940)	●	●	■	▲	-
★ 0.52 (0.68)	935 (36.8)	460 (1,010)	-	-	-	-	▲

- ◆ Heavy duty bucket
- Rock-Heavy duty bucket
- Slope finishing bucket
- ★ Long reach bucket
- : Applicable for materials with density of 2,000 kg /m<sup>3</sup> (3,370 lb/ yd<sup>3</sup>) or less
- : Applicable for materials with density of 1,600 kg /m<sup>3</sup> (2,700 lb/ yd<sup>3</sup>) or less
- ▲ : Applicable for materials with density of 1,100 kg /m<sup>3</sup> (1,850 lb/ yd<sup>3</sup>) or less

## ATTACHMENT

Booms and arms are welded with a low-stress, full-box section design. 5.68m & 8.2m Booms and 2.0m, 2.4m, 2.92m, 3.9m & 6.3m Arms are available.

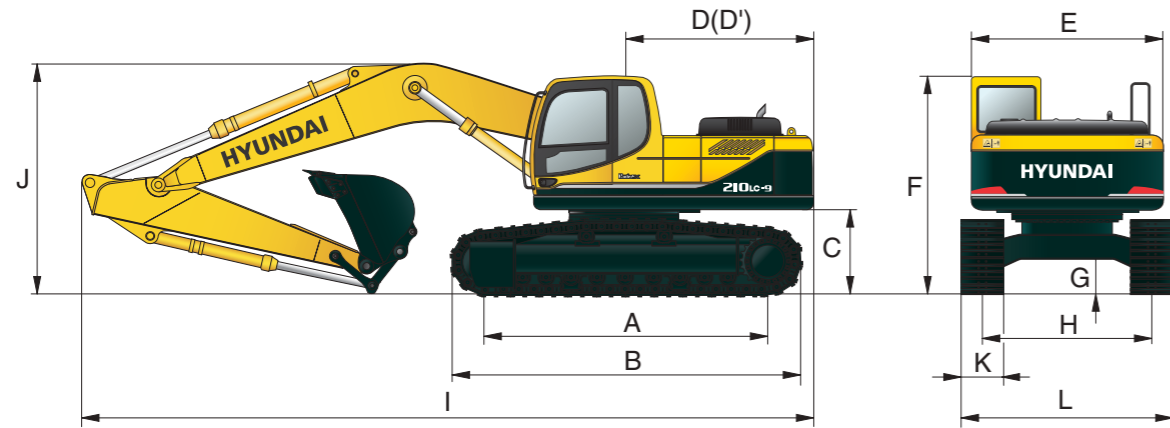
## DIGGING FORCE

Boom	Length	mm (ft-in)	5,680 (18' 8")				8,200 (26' 11")	Remarks
			1,950 (4,300)				2,350 (5,180)	
Arm	Length	mm (ft-in)	2,000 (6' 7")	2,400 (7' 10")	2,920 (9' 7")	3,900 (12' 10")	6,300 (20' 8")	Power Boost
			Weight		Weight		Weight	
Bucket digging force	SAE	kN	133.4 [145.5]	133.4 [145.5]	133.4 [145.5]	133.4 [145.5]	72.6 [79.2]	[ ]: Power Boost
		kgf	13600 [14840]	13600 [14840]	13600 [14840]	13600 [14840]	7400 [8070]	
		lbf	29980 [32710]	29980 [32710]	29980 [32710]	29980 [32710]	16310 [17790]	
	ISO	kN	152.0 [165.8]	152.0 [165.8]	152.0 [165.8]	152.0 [165.8]	83.4 [91.0]	
		kgf	15500 [16910]	15500 [16910]	15500 [16910]	15500 [16910]	8500 [9270]	
		lbf	34170 [37280]	34170 [37280]	34170 [37280]	34170 [37280]	18740 [20440]	
Arm crowd force	SAE	kN	144.2 [156.5]	119.6 [129.9]	102.0 [110.7]	84.3 [91.6]	49.0 [53.5]	[ ]: Power Boost
		kgf	14700 [15960]	12200 [13250]	10400 [11290]	8600 [9340]	5000 [5450]	
		lbf	32410 [35190]	26900 [29210]	22930 [24900]	18960 [20590]	11020 [12020]	
	ISO	kN	151.0 [164.0]	125.5 [136.3]	106.9 [116.1]	87.3 [94.8]	50.0 [54.5]	
		kgf	15400 [16720]	12800 [13900]	10900 [11830]	8900 [9660]	5100 [5560]	
		lbf	33950 [36860]	28220 [30640]	24030 [26090]	19620 [21300]	11240 [12260]	

Note: Boom weight includes arm cylinder, piping, and pin  
Arm weight includes bucket cylinder, linkage, and pin

# Dimensions & Working Range

## R210LC-9 DIMENSIONS

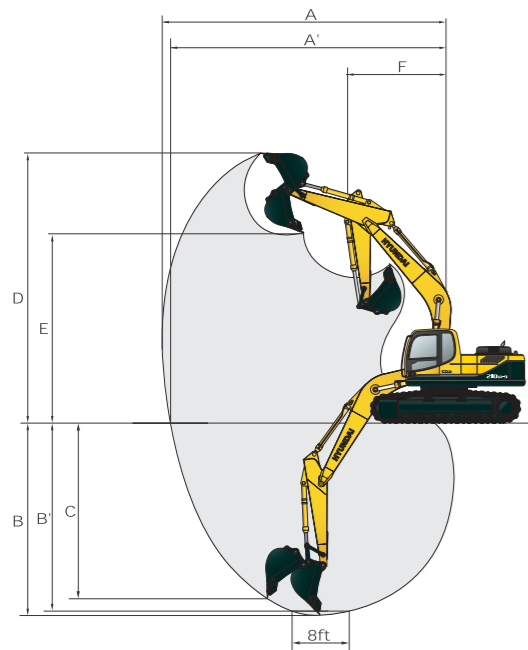


Unit : mm (ft · in)

A Tumbler distance	3,650 (11' 12")	Boom length	5,680 (18' 8")				8,200 (26' 11")
B Overall length of crawler	4,440 (14' 7")	Arm length	2,000 (6' 7")	2,400 (7' 10")	2,920 (9' 7")	3,900 (12' 10")	6,300 (20' 8")
C Ground clearance of counterweight	1,060 (3' 6")	I Overall length	9,650 (31' 8")	9,570 (31' 5")	9,530 (31' 3")	9,520 (31' 3")	12,030 (39' 6")
D Tail swing radius	2,840 (9' 4")	J Overall height of boom	3,200 (10' 6")	3,110 (10' 2")	3,030 (9' 11")	3,480 (11' 5")	3,280 (10' 9")
D' Rear-end length	2,770 (9' 1")	K Track shoe width	600 (24")	700 (28")	800 (32")	900 (36")	
E Overall width of upperstructure	2,740 (8' 12")	L Overall width	2,990 (9' 10")	3,090 (10' 2")	3,190 (10' 6")	3,290 (10' 10")	
F Overall height of cab	2,920 (9' 7")						
G Min. ground clearance	480 (1' 7")						
H Track gauge	2,390 (7' 10")						

## R210LC-9 WORKING RANGE

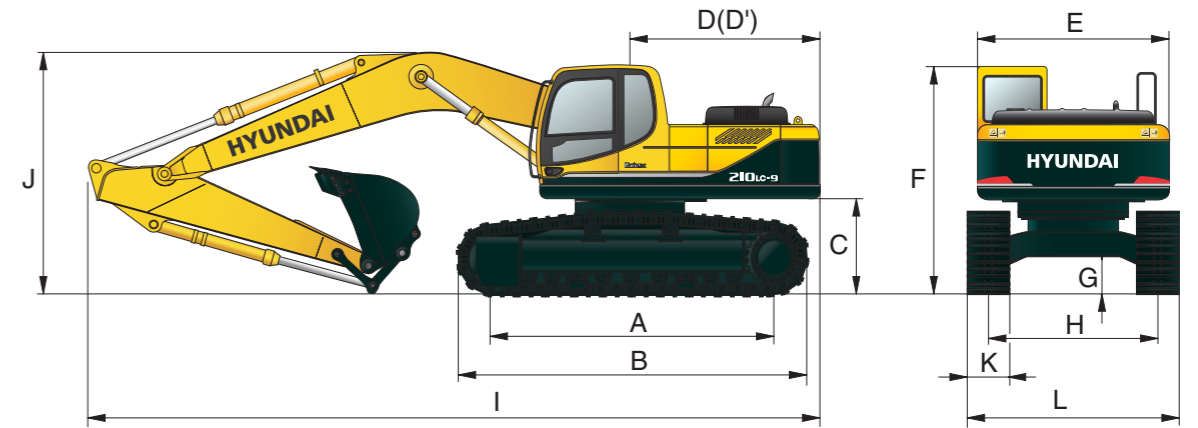
Unit : mm (ft · in)



Boom length	5,680 (18' 8")				8,200 (26' 11")
Arm length	2,000 (6' 7")	2,400 (7' 10")	2,920 (9' 7")	3,900 (12' 10")	6,300 (20' 8")
A Max. digging reach	9,140 (29' 12")	9,500 (31' 2")	9,980 (32' 9")	10,910 (35' 10")	15,220 (49' 11")
A' Max. digging reach on ground	8,960 (29' 5")	9,330 (30' 7")	9,820 (32' 3")	10,770 (35' 4")	15,120 (49' 7")
B Max. digging depth	5,820 (19' 1")	6,220 (20' 5")	6,730 (22' 1")	7,720 (25' 4")	11,760 (38' 7")
B' Max. digging depth (8' level)	5,580 (18' 4")	6,010 (19' 9")	6,560 (21' 6")	7,580 (24' 10")	11,650 (38' 3")
C Max. vertical wall digging depth	5,280 (17' 4")	5,720 (18' 9")	6,280 (20' 7")	7,240 (23' 9")	9,610 (31' 6")
D Max. digging height	9,140 (29' 12")	9,340 (30' 8")	9,600 (31' 6")	10,110 (33' 2")	12,550 (41' 2")
E Max. dumping height	6,330 (20' 9")	6,520 (21' 5")	6,780 (22' 3")	7,290 (23' 11")	10,280 (33' 9")
F Min. swing radius	3,750 (12' 4")	3,740 (12' 3")	3,740 (12' 3")	3,650 (11' 12")	4,870 (15' 12")

# Dimensions & Working Range

## R210LC-9 HIGH WALKER DIMENSIONS

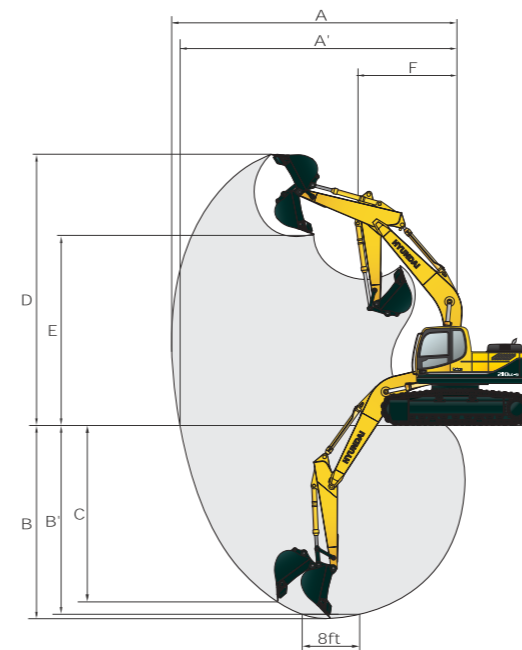


Unit : mm (ft · in)

A Tumbler distance	3,650 (11' 12")	Boom length	5,680 (18' 8")				
B Overall length of crawler	4,440 (14' 7")	Arm length	2,000 (6' 7")	2,400 (7' 10")	2,920 (9' 7")	3,900 (12' 10")	
C Ground clearance of counterweight	1,240 (4' 1")	I Overall length	9,650 (31' 8")	9,550 (31' 4")	9,470 (31' 1")	9,560 (31' 4")	
D Tail swing radius	2,840 (9' 4")	J Overall height of boom	3,290 (10' 10")	3,170 (10' 5")	3,060 (10' 0")	3,450 (11' 4")	
D' Rear-end length	2,770 (9' 1")	K Track shoe width	Type		Triple grouser		Double grouser
E Overall width of upperstructure	2,740 (8' 12")		Width		600 (24")	700 (28")	800 (32")
F Overall height of cab	3,100 (10' 2")						710 (28")
G Min. ground clearance	660 (2' 2")	L Overall width	3,395 (11' 2")	3,495 (11' 6")	3,595 (11' 10")	3,505 (11' 6")	
H Track gauge	2,795 (9' 2")						

## R210LC-9 HIGH WALKER WORKING RANGE

Unit : mm (ft · in)



Boom length	5,680 (18' 8")				
Arm length	2,000 (6' 7")	2,400 (7' 10")	2,920 (9' 7")	3,900 (12' 10")	
A Max. digging reach	9,140 (29' 12")	9,500 (31' 2")	9,980 (32' 9")	10,910 (35' 10")	
A' Max. digging reach on ground	8,920 (29' 3")	9,290 (30' 6")	9,820 (32' 3")	10,730 (35' 2")	
B Max. digging depth	5,630 (18' 6")	6,010 (19' 9")	6,550 (21' 6")	7,530 (24' 8")	
B' Max. digging depth (8' level)	5,390 (17' 8")	5,820 (19' 1")	6,380 (20' 11")	7,390 (24' 3")	
C Max. vertical wall digging depth	5,090 (16' 8")	5,630 (18' 6")	6,100 (20' 0")	7,050 (23' 2")	
D Max. digging height	9,330 (30' 7")	9,530 (31' 3")	9,780 (32' 1")	10,300 (33' 10")	
E Max. dumping height	6,520 (21' 5")	6,710 (22' 0")	6,960 (22' 10")	7,480 (24' 6")	
F Min. swing radius	3,750 (12' 4")	3,740 (12' 3")	3,740 (12' 3")	3,650 (11' 12")	



# Lifting Capacity

## R210LC-9

Rating over-front Rating over-side or 360 degree

Boom : 5.68m (18' 8") / Arm : 2.0 m (6' 7") / Bucket : 0.92 m<sup>3</sup> (1.20 yd<sup>3</sup>) SAE heaped / Shoe : 600mm (24") triple grouser

Load point height m (ft)		Load radius								At max. reach		
		3.0 m (10 ft)		4.5 m (15 ft)		6.0 m (20 ft)		7.5 m (25 ft)		Capacity		Reach
												m (ft)
7.5 m (25 ft)	kg									*4010	*4010	6.65
	lb									*8840	*8840	(21.8)
6.0 m (20 ft)	kg					*4440	*4440			*4060	3040	7.78
	lb					*9790	*9790			*8950	6700	(25.5)
4.5 m (15 ft)	kg		*5730	*5730	*4860	4630				*4190	2540	8.43
	lb		*12630	*12630	*10710	10210				*9240	5600	(27.7)
3.0 m (10 ft)	kg		*7460	6840	*5610	4370	*4830	3000		4040	2310	8.74
	lb		*16450	15080	*12370	9630	*10650	6610		8910	5090	(28.7)
1.5 m (5 ft)	kg		*8990	6320	*6390	4120	5060	2890		3990	2260	8.73
	lb		*19820	13930	*14090	9080	11160	6370		8800	4980	(28.6)
Ground	kg		*9690	6090	*6910	3950	4980	2810		4200	2380	8.42
	lb		*21360	13430	*15230	8710	10980	6190		9260	5250	(27.6)
-1.5 m (-5 ft)	kg	*13990	12260	*9630	6070	*6990	3910			4820	2750	7.76
	lb	*30840	27030	*21230	13380	*15410	8620			10630	6060	(25.5)
-3.0 m (-10 ft)	kg	*12500	12500	*8820	6180	*6350	3990			*4850	3650	6.61
	lb	*27560	27560	*19440	13620	*14000	8800			*10690	8050	(21.7)
-4.5 m (-15 ft)	kg	*9460	*9460									
	lb	*20860	*20860									

Boom : 5.68m (18' 8") / Arm : 2.40 m (7' 10") / Bucket : 0.92 m<sup>3</sup> (1.20 yd<sup>3</sup>) SAE heaped / Shoe : 600mm (24") triple grouser

Load point height m (ft)		Load radius								At max. reach					
		1.5 m (5 ft)		3.0 m (10 ft)		4.5 m (15 ft)		6.0 m (20 ft)		7.5 m (25 ft)		Capacity		Reach	
														m (ft)	
7.5 m (25 ft)	kg												*3700	3640	7.15
	lb												*8160	8020	(23.5)
6.0 m (20 ft)	kg					*4010	*4010						*3780	2760	8.20
	lb					*8840	*8840						*8330	6080	(26.9)
4.5 m (15 ft)	kg					*4490	*4490	*4230	3130				*3900	2340	8.82
	lb					*9900	*9900	*9330	6900				*8600	5160	(28.9)
3.0 m (10 ft)	kg				*6900	*6900	*5280	4400	*4560	3010			3760	2130	9.11
	lb				*15210	*15210	*11640	9700	*10050	6640			8290	4700	(29.9)
1.5 m (5 ft)	kg				*8560	6380	*6120	4130	*4970	2880			3710	2080	9.10
	lb				*18870	14070	*13490	9110	*10960	6350			8180	4590	(29.9)
Ground	kg		*8790	*8790	*9490	6080	*6740	3930	4950	2780			4950	2180	8.81
	lb		*19380	*19380	*20920	13400	*14860	8660	10910	6130			8580	4810	(28.9)
-1.5 m (-5 ft)	kg	*9760	*9760	*13510	12060	*9650	6000	*6960	3850				4390	2480	8.18
	lb	*21520	*21520	*29780	26590	*21270	13230	*15340	8490				9680	5470	(26.8)
-3.0 m (-10 ft)	kg	*14150	*14150	*13240	12280	*9090	6080	*6590	3900				*4700	3190	7.12
	lb	*31200	*31200	*29190	27070	*20040	13400	*14530	8600				*10360	7030	(23.4)
-4.5 m (-15 ft)	kg		*10630	*10630	*7400	6330									
	lb		*23440	*23440	*16310	13960									

Boom : 5.68m (18' 8") / Arm : 2.92 m (9' 7") / Bucket : 0.92 m<sup>3</sup> (1.20 yd<sup>3</sup>) SAE heaped / Shoe : 600mm (24") triple grouser

Load point height m (ft)		Load radius								At max. reach					
		1.5 m (5 ft)		3.0 m (10 ft)		4.5 m (15 ft)		6.0 m (20 ft)		7.5 m (25 ft)		Capacity		Reach	
														m (ft)	
7.5 m (25 ft)	kg												*3360	3150	7.78
	lb												*7410	6940	(25.5)
6.0 m (20 ft)	kg									*2340	*2340		*3450	2460	8.74
	lb									*5160	*5160		*7610	5420	(28.7)
4.5 m (15 ft)	kg					*4010	*4010	*3830	3180	*3580	2100		*3580	2100	9.32
	lb					*8840	*8840	*8440	7010	*7890	4630		*7890	4630	(30.6)
3.0 m (10 ft)	kg		*9780	*9780	*6150	*6150	*4840	4460	*4230	3040			3440	1930	9.59
	lb		*21560	*21560	*13560	*13560	*10670	9830	*9330	6700			7580	4250	(31.5)
1.5 m (5 ft)	kg		*8810	*8810	*7960	6490	*5750	4160	*4710	2880			3390	1880	9.59
	lb		*19420	*19420	*17550	14310	*12680	9170	*10380	6350			7470	4140	(31.5)
Ground	kg		*9550	*9550	*9160	6090	*6490	3920	4930	2750			3520	1950	9.31
	lb		*21050	*21050	*20190	13430	*14310	8640	10870	6060			7760	4300	(30.5)
-1.5 m (-5 ft)	kg	*8810	*8810	*12610	11870	*9600	5940	*6870	3800	4860	2690		3920	2190	8.72
	lb	*19420	*19420	*27800	26170	*21160	13100	*15150	8380	10710	5930		8640	4830	(28.6)
-3.0 m (-10 ft)	kg	*12190	*12190	*13980	12040	*9320	5960	*6740	3800				*4460	2710	7.75
	lb	*26870	*26870	*30820	26540	*20550	13140	*14860	8380				*9830	5970	(25.4)
-4.5 m (-15 ft)	kg		*11860	*11860	*8120	6140							*4330	4080	6.16
	lb		*26150	*26150	*17900	13540							*9550	8990	(20.2)

- Lifting capacity is based on SAE J1097, ISO 10567.
- Lifting capacity of the Robex Series does not exceed 75% of the tipping load with the machine on firm, level ground or 87% of full hydraulic capacity.
- The load point is a hook located on the back of the bucket.
- (\*) indicates the load limited by hydraulic capacity.

# Lifting Capacity

## R210LC-9

Rating over-front Rating over-side or 360 degree

Boom : 5.68m (18' 8") / Arm : 3.90 m (12' 10") / Bucket : 0.92 m<sup>3</sup> (1.20 yd<sup>3</sup>) SAE heaped / Shoe : 600mm (24") triple grouser

Load point height m (ft)		Load radius										At max. reach																			
		1.5 m (5 ft)		3.0 m (10 ft)		4.5 m (15 ft)		6.0 m (20 ft)		7.5 m (25 ft)		9.0 m (30 ft)		Capacity		Reach															
																		m (ft)													
9.0 m (30 ft)	kg																	*2740	*2740	7.66											
	lb																	*6040	*6040	(25.1)											
7.5 m (25 ft)	kg													*1980	*1980			*2800	2420	8.94											
	lb													*4370	*4370			*6170	5340	(29.3)											
6.0 m (20 ft)	kg													*2840	*2840			*2900	1960	9.77											
	lb													*6260	*6260			*6390	4320	(32.1)											
4.5 m (15 ft)	kg													*3090	*3090	*2040	*2040	*3020	1700	10.28											
	lb													*6810	*6810	*4500	*4500	*6660	3750	(33.7)											
3.0 m (10 ft)	kg												*3940	*3940	*3560	3080	*2910	2140	2890	1560	10.52										
	lb												*8690	*8690	*7850	6790	*6420	4720	6370	3440	(34.5)										
1.5 m (5 ft)	kg													*11130	*11130	*6640	*6640	*4950	4220	*4120	2880	*3450	2040	2840	1510	10.52					
	lb													*24540	*24540	*14640	*14640	*10910	9300	*9080	6350	*7610	4500	6260	3330	(34.5)					
Ground	kg	*5260	*5260	*10600	*10600	*8250	6130	*5860	3910	*4650	2710	*3530	1950	2930	1550	10.27															
	lb	*11600	*11600	*23370	*23370	*18190	13510	*12920	8620	*10250	5970	*7780	4300	6460	3420	(33.7)															
-1.5 m (-5 ft)	kg	*7500	*7500	*11650	11540	*9150	5810	*6490	3700	4750	2590	*2370	1900	3180	1700	9.75															
	lb	*16530	*16530	*25680	25440	*20170	12810	*14310	8160	10470	5710	*5220	4190	7010	3750	(32.0)															
-3.0 m (-10 ft)	kg	*9990	*9990	*14350	11540	*9360	5720	*6700	3620	4710	2550			3710	2030	8.91															
	lb	*22020	*22020	*31640	25440	*20640	12610	*14770	7980	10380	5620			8180	4480	(29.2)															
-4.5 m (-15 ft)	kg	*12960	*12960	*13360	11780	*8830	5800	*6340	3670					*4030	2730	7.62															
	lb	*28570	*28570	*29450	25970	*19470	12790	*13980	8090					*8880	6020	(25.0)															
-6.0 m (-20 ft)	kg					*10610	*10610	*7100	6080																						
	lb					*23390	*23390	*15650	13400																						

## R210LC-9 HIGH WALKER

Rating over-front Rating over-side or 360 degree

Boom : 5.68m (18' 8") / Arm : 2.40 m (7' 10") / Bucket : 0.92 m<sup>3</sup> (1.20 yd<sup>3</sup>) SAE heaped / Shoe : 600mm (24") triple grouser

Load point height m (ft)		Load radius								At max. reach		
		1.5 m (5 ft)										

# Lifting Capacity

## R210LC-9 HIGH WALKER

Rating over-front Rating over-side or 360 degree

Boom : 5.68m (18' 8") / Arm : 3.90 m (12' 10") / Bucket : 0.92 m<sup>3</sup> (1.20 yd<sup>3</sup>) SAE heaped / Shoe : 600mm (24") triple grouser

Load point height m (ft)		Load radius										At max. reach					
		1.5 m (5 ft)		3.0 m (10 ft)		4.5 m (15 ft)		6.0 m (20 ft)		7.5 m (25 ft)		9.0 m (30 ft)		Capacity		Reach	
																	m (ft)
9.0 m (30 ft)	kg													*2750	*2750	7.86	
	lb													*6060	*6060	(25.8)	
7.5 m (25 ft)	kg								*2220	*2220				*2810	*2810	9.06	
	lb								*4890	*4890				*6190	*6190	(29.7)	
6.0 m (20 ft)	kg								*2850	*2850				*2910	2550	9.85	
	lb								*6280	*6280				*6420	5620	(32.3)	
4.5 m (15 ft)	kg								*3140	*3140	*2180	*2180		*3030	2270	10.33	
	lb								*6920	*6920	*4810	*4810		*6680	5000	(33.9)	
3.0 m (10 ft)	kg								*4060	*4060	*3620	*3620	*2990	2840	3100	2120	10.54
	lb								*8950	*8950	*7980	*7980	*6590	6260	6830	4670	(34.6)
1.5 m (5 ft)	kg			*11630	*11630	*6880	*6880	*5070	*5070	*4190	3770	*3490	2730	3070	2090	10.50	
	lb			*25640	*25640	*15170	*15170	*11180	*11180	*9240	8310	*7690	6020	6770	4610	(34.4)	
Ground	kg	*5540	*5540	*10590	*10590	*8400	8100	*5960	5130	*4710	3590	*3480	2640	3180	2160	10.22	
Line	lb	*12210	*12210	*23350	*23350	*18520	17860	*13140	11310	*10380	7910	*7670	5820	7010	4760	(33.5)	
-1.5 m (-5 ft)	kg	*7800	*7800	*11920	*11920	*9220	7800	*6540	4940	*5060	3480			3480	2370	9.67	
	lb	*17200	*17200	*26280	*26280	*20330	17200	*14420	10890	*11160	7670			7670	5220	(31.7)	
-3.0 m (-10 ft)	kg	*10330	*10330	*14530	*14530	*9340	7730	*6690	4870	5060	3450			*3920	2820	8.78	
	lb	*22770	*22770	*32030	*32030	*20590	17040	*14750	10740	11160	7610			*8640	6220	(28.8)	
-4.5 m (-15 ft)	kg	*13390	*13390	*13120	*13120	*8690	7840	*6230	4940					*4030	3800	7.41	
	lb	*29520	*29520	*28920	*28920	*19160	17280	*13730	10890					*8880	8380	(24.3)	
-6.0 m (-20 ft)	kg			*10090	*10090	*6720	*6720										
	lb			*22240	*22240	*14820	*14820										

Boom : 5.68m (18' 8") / Arm : 2.40 m (7' 10") / Bucket : 0.92 m<sup>3</sup> (1.20 yd<sup>3</sup>) SAE heaped / Shoe : 800mm (32") triple grouser

Load point height m (ft)		Load radius										At max. reach				
		1.5 m (5 ft)		3.0 m (10 ft)		4.5 m (15 ft)		6.0 m (20 ft)		7.5 m (25 ft)		Capacity		Reach		
															m (ft)	
7.5 m (25 ft)	kg													*3700	*3700	7.31
	lb													*8160	*8160	(24.0)
6.0 m (20 ft)	kg													*3790	3570	8.30
	lb													*8360	7870	(27.2)
4.5 m (15 ft)	kg					*5360	*5360	*4580	*4580	*4260	4130			*3920	3110	8.87
	lb					*11820	*11820	*10100	*10100	*9390	9110			*8640	6860	(29.1)
3.0 m (10 ft)	kg					*7130	*7130	*5390	*5390	*4610	4010			*4080	2890	9.12
	lb					*15720	*15720	*11880	*11880	*10160	8840			*8990	6370	(29.9)
1.5 m (5 ft)	kg					*8720	8580	*6220	5500	*5020	3870			4110	2860	9.08
	lb					*19220	18920	*13710	12130	*11070	8530			9060	6310	(29.8)
Ground	kg			*9350	*9350	*9550	8290	*6790	5310	*5320	3780			4340	3020	8.75
Line	lb			*20610	*20610	*21050	18280	*14970	11710	*11730	8330			9570	6660	(28.7)
-1.5 m (-5 ft)	kg	*10290	*10290	*14180	*14180	*9620	8230	*6950	5240					*4650	3450	8.07
	lb	*22690	*22690	*31260	*31260	*21210	18140	*15320	11550					*10250	7610	(26.5)
-3.0 m (-10 ft)	kg	*14760	*14760	*12990	*12990	*8950	8330	*6470	5310					*4690	4470	6.94
	lb	*32540	*32540	*28640	*28640	*19730	18360	*14260	11710					*10340	9850	(22.8)
-4.5 m (-15 ft)	kg			*10150	*10150	*7020	*7020									
	lb			*22380	*22380	*15480	*15480									

Boom : 5.68m (18' 8") / Arm : 2.92 m (9' 7") / Bucket : 0.92 m<sup>3</sup> (1.20 yd<sup>3</sup>) SAE heaped / Shoe : 800mm (32") triple grouser

Load point height m (ft)		Load radius										At max. reach				
		1.5 m (5 ft)		3.0 m (10 ft)		4.5 m (15 ft)		6.0 m (20 ft)		7.5 m (25 ft)		Capacity		Reach		
															m (ft)	
7.5 m (25 ft)	kg													*3370	*3370	7.93
	lb													*7430	*7430	(26.0)
6.0 m (20 ft)	kg													*2700	*2700	8.83
	lb													*5950	*5950	(29.0)
4.5 m (15 ft)	kg							*4110	*4110	*3870	*3870			*3600	2820	9.37
	lb							*9060	*9060	*8530	*8530			*7940	6220	(30.7)
3.0 m (10 ft)	kg							*4960	*4960	*4290	4030			*3760	2640	9.60
	lb							*10930	*10930	*9460	8880			*8290	5820	(31.5)
1.5 m (5 ft)	kg			*8610	*8610	*8150	*8150	*5860	5520	*4760	3870			3760	2610	9.57
	lb			*18980	*18980	*17970	*17970	*12920	12170	*10490	8530			8290	5750	(31.4)
Ground	kg			*9870	*9870	*9260	8290	*6560	5300	*5150	3750			3940	2730	9.25
Line	lb			*21760	*21760	*20410	18280	*14460	11680	*11350	8270			8690	6020	(30.3)
-1.5 m (-5 ft)	kg	*9210	*9210	*13090	*13090	*9600	8150	*6880	5180	*5300	3690			*4340	3060	8.62
	lb	*20300	*20300	*28860	*28860	*21160	17970	*15170	11420	*11680	8140			*9570	6750	(28.3)
-3.0 m (-10 ft)	kg	*12660	*12660	*13780	*13780	*9230	8200	*6670	5200					*4470	3810	7.59
	lb	*27910	*27910	*30380	*30380	*20350	18080	*14700	11460					*9850	8400	(24.9)
-4.5 m (-15 ft)	kg			*11470	*11470	*7860	*7860							*4250	*4250	5.89
	lb			*25290	*25290	*17330	*17330							*9370	*9370	(19.3)

- Lifting capacity is based on SAE J1097, ISO 10567.
- Lifting capacity of the Robex Series does not exceed 75% of the tipping load with the machine on firm, level ground or 87% of full hydraulic capacity.
- The load point is a hook located on the back of the bucket.
- (\*) indicates the load limited by hydraulic capacity.

# Lifting Capacity

## R210LC-9 HIGH WALKER

Rating over-front Rating over-side or 360 degree

Boom : 5.68m (18' 8") / Arm : 3.90 m (12' 10") / Bucket : 0.92 m<sup>3</sup> (1.20 yd<sup>3</sup>) SAE heaped / Shoe : 800mm (32") triple grouser

Load point height m (ft)		Load radius										At max. reach														
		1.5 m (5 ft)		3.0 m (10 ft)		4.5 m (15 ft)		6.0 m (20 ft)		7.5 m (25 ft)		9.0 m (30 ft)		Capacity		Reach										
																	m (ft)									
9.0 m (30 ft)	kg																*2750	*2750	7.86							
	lb																*6060	*6060	(25.8)							
7.5 m (25 ft)	kg																*2810	*2810	9.06							
	lb																*6190	*6190	(29.7)							
6.0 m (20 ft)	kg																*2850	*2850	9.85							
	lb																*6280	*6280	(32.3)							
4.5 m (15 ft)	kg																*3140	*3140	*2180	*2180	*3030	2340	10.33			
	lb																*6920	*6920	*4810	*4810	*6680	5160	(33.9)			
3.0 m (10 ft)	kg																	*4060	*4060	*3620	*3620	*2990	2920	*3180	2190	10.54
	lb																	*8950	*8950	*7980	*7980	*6590	6440	*7010	4830	(34.6)
1.5 m (5 ft)	kg					*11630	*11630	*6880	*6880	*5070	*5070	*4190	3870	*3490	2870	*3490	2820	3170	2160	10.50						
	lb					*25640	*25640	*15170	*15170	*11180	*11180	*9240	8530	*7690	6220	*7690	6220	6990	4760	(34.4)						
Ground	kg	*5540	*5540	*10590	*10590	*8400	8310	*5960	5270	*4710	3700	*3480	2730	3280	2230	10.22										
Line	lb	*12210	*12210	*23350	*23350	*18520	18320	*13140	11620	*10380	8160	*7670	6020	7230	4920	(33.5)										
-1.5 m (-5 ft)	kg	*7800	*7800	*11920	*11920	*9220	8010	*6540	5080	*5060	3580			3590	2450	9.67										
	lb	*17200	*17200	*26280	*26280	*20330	17660	*14420	11200	*11160	7890			7910	5400	(31.7)										
-3.0 m (-10 ft)	kg	*10330	*10330	*14530	*14530	*9340	7940	*6690	5010	*5090	3550			*3920	2900											